

Hydrology & Environmental Engineering; Urban Drainage

The rain gauge for professionals



Applications

- Hydrology
- General rainfall monitoring
- Rainfall distribution & intensity
- Remote monitoring
- Leachate /run-off monitoring
- Ecological studies
- Agriculture
- Climate change studies

Overview

The Casella TBRG is a reliable and extremely robust transducer, designed as a stand-alone sensor for operation with an existing logging system. The body and funnel are made from aluminium alloy with an accurately machined septum ring at the top giving an aperture of 400cm²

The tipping bucket mechanism is mounted inside the body on a cast aluminium-alloy base, incorporating a built-in spirit level to ease correct positioning.

All this ensures the TBRG is quick and easy to deploy, whilst providing reliable operation with the minimum of maintenance.

Accurate and Precise Measurements

The TBRG mechanism is purposefully made from light weight injection moulded plastic and stainless steel pins, to reduce the likelihood of friction. This is achieved by creating a rolling motion rather than a pivoting motion when the bucket tips through the use of the stainless steel pins.

The tipping bucket mechanism is mounted on a cast aluminium-alloy base, which incorporates a built-in spirit level to achieve correct and accurate positioning of the bucket.

Solid, Durable and Long Lasting

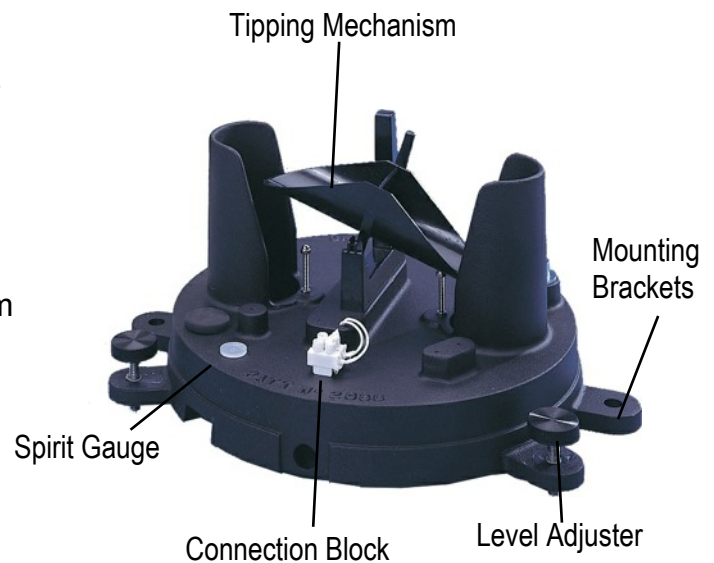
In order to withstand nature's elements the Rain Gauge is manufactured from entirely non-corrosive materials.

The base and septum ring are cast in Aluminium Alloy LM25, heat treated and protectively coated.

The outer ring and funnel are fabricated from aluminium alloy sheet and again protectively coated.

Stainless steel mesh is employed to protect the inlet and outlet ports from the ingress of foreign bodies.

The use of sealed reed switches ensures the Rain Gauge is capable of a long working life with little maintenance.



Technical Specification

Bucket sizes:	0.1 mm, 0.2 mm or 0.5 mm
Aperture:	400 cm ²
Accuracy:	±2% at 1 litre/hour
Capacity:	Unlimited
Transducer:	Magnet/Reed switch
Operating temperature range:	1°C to 85°C
Output:	Contact closure
Weight:	2.6 kg

Ordering Information

Part Number:

102471E - 0.1mm Tipping Bucket Rain Gauge (light rainfall)

100000E - 0.2mm Tipping Bucket Rain Gauge (moderate rainfall)

100573E - 0.5mm Tipping Bucket Rain Gauge (heavy rainfall)